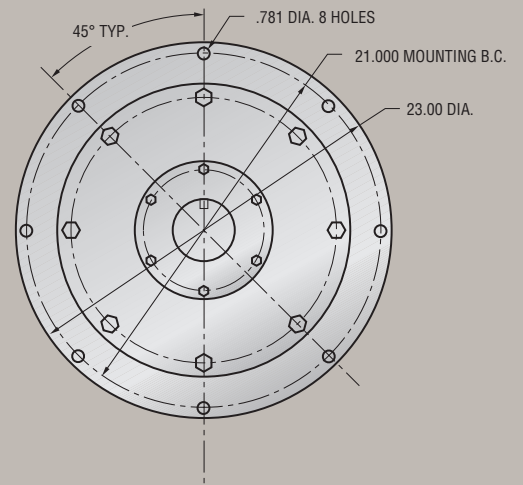
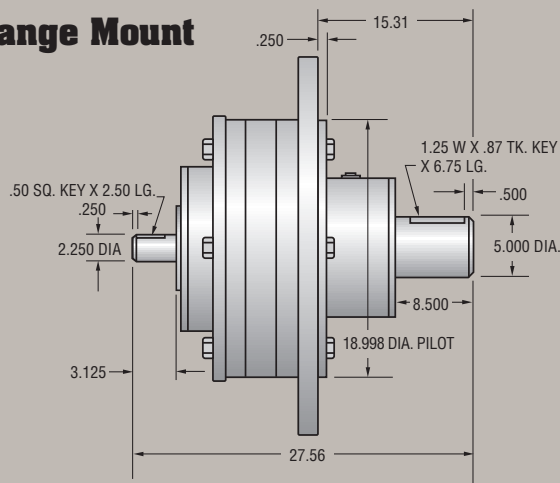


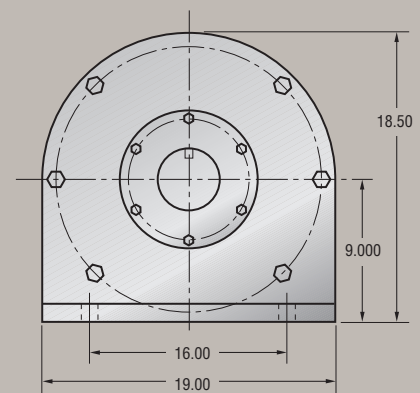
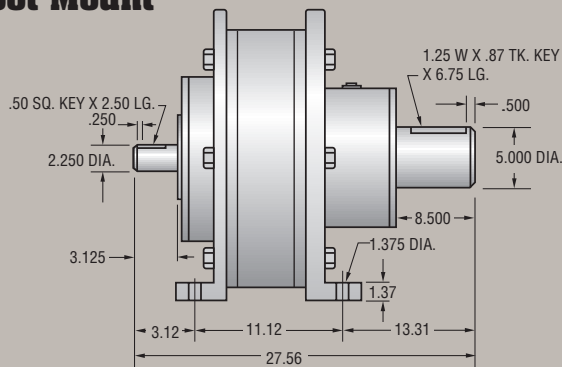
# Model 150S

## Single Reduction Planetary Gear Reducer

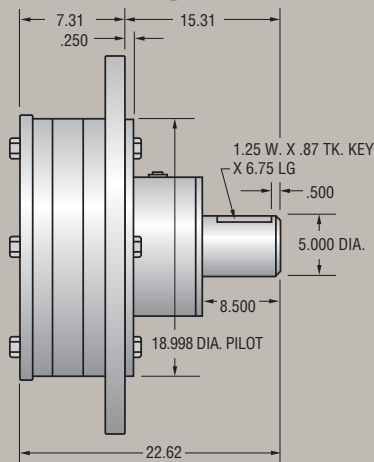
### Flange Mount



### Foot Mount



### Flange or Foot Mount w/SAE or NEMA Input



#### NEMA Electric Motor Direct Mount

"C" face direct couple of motor to speed reducer. No need for coupling or special motor mounts.

#### SAE Hydraulic Motor Direct Mount

2 bolt or 4 bolt direct couple of hydraulic motor to speed reducer. No need for coupling or special motor mounts.



*Byrne*  
**Gear Corporation  
of America**

- Planetary speed reducers
- High-speed increasers
- Custom design geared products

*"The Problem Solver"*

# Model 150S

## Single Reduction Planetary Gear Reducer

Planetary Assembly	Ratios	OUTPUT HORSE POWER RATINGS (Adjusted for Thermal Efficiencies)						
		INPUT R.P.M.						
		100	580	720	870	1170	1430	1750
E	3.00	51.56	176.47	205.30	234.38	288.40	331.89	382.29
A	3.50	42.07	144.00	167.53	191.26	235.34	270.83	311.96
B	4.00	43.87	150.15	174.69	199.43	245.39	282.40	325.27
C	4.33	30.78	105.35	122.56	139.92	172.17	198.13	228.22
D	6.00	23.55	80.60	93.77	107.05	131.72	151.59	174.60

Ratings based upon uniform steady and moderate shock loading. See load factor chart for details.

OUTPUT SHAFT RADIAL (overhung) LOAD CAPACITIES (at output r.p.m.)								
R.P.M.	10	20	30	50	100	200	300	500
Radial Capacities (lbs.)	22,500	18,000	16,000	14,000	11,000	10,000	9,000	7,500

OUTPUT SHAFT THRUST LOAD CAPACITIES (at output r.p.m.)								
R.P.M.	10	20	30	50	100	200	300	500
Thrust Capacities (lbs.)	29,511	24,037	21,282	18,254	14,832	12,041	10,668	9,150

**OUTPUT SHAFT MAXIMUM CONTINUOUS TORQUE CAPACITY:** 150,119 lb./inches

**OUTPUT SHAFT INTERMITTENT TORQUE CAPACITY:** 300,238 lb./inches

**WEIGHT:** 650 lbs.

**RATING SYSTEM:** All Ratings Based Upon American Gear Manufacturers' Association Standards

**If you use BYRNE GEAR products, you are in good company.**  
**Join the thousands of satisfied customers**  
**that choose the "Problem Solver".**

USX - Steel Division  
 General Motors  
 LTV Steel  
 Portland Cement  
 U.S. Air Force  
 Israeli Air Force  
 United Technologies  
 3M Company  
 U.S. Coast Guard  
 Tennessee Valley Authority  
 Union Carbide Corp.  
 Tritan Corporation  
 Armco Steel  
 Kuwaiti Oil Company  
 Exxon

NASA  
 E.I. Dupont  
 U.S. Navy  
 Fuller Company  
 Sikorsky  
 Bendix  
 Canadian Bearings Co.  
 Caterpillar Tractor Co.  
 Container Corp. Of America  
 Grotnes Metalforming  
 Ingersoll Rand Corp.  
 R.R. Donnelley & Sons  
 The Budd Company  
 Ohio State University  
 Mead Paper

Martin Marietta  
 Rockwell International  
 Bethlehem Steel  
 Ashland Petroleum  
 Republic Steel  
 Batelle Memorial Institute  
 Scott Paper  
 British Petroleum  
 FMC Corporation  
 Goodyear Tire & Rubber  
 Michael Byrne Mfg. Co.  
 MacGregor - Navire  
 Sandia Laboratories  
 National Ctr. for Atmospheric  
 Research



*Byrne*

**GEAR CORPORATION OF AMERICA**

301 Byrne Gear Drive  
 P. O. Box 1789  
 Mansfield, Ohio 44901  
 Telephone: (419) 522-GEAR(4327)  
 Fax: (419) 525-2386

E-mail: byrne@byrnegroup.com

Visit our web site at: www.byrnegroup.com

*Part of The Byrne Group*

Copyright © Byrne Gear Corporation of America  
 Printed in U.S.A. 697

*"The Problem Solver"*